

**KWC Faucets PURESTREAM Filtration System  
Installation and Instruction Manual**

## KWC PURESTREAM Filter Systems

Installation and Operating Instructions, Models KWC PURESTREAM & KWC PURESTREAM PLUS

### Specifications

Inlet Size: 3/8" NPT  
Outlet Size: 8mm NPT  
Flow Rate: 1.05 gpm (4 lpm)  
Temperature Range: 40-100°F (4.4-38°C)  
Pressure Range: 30-125 psi (206-862 kPa)  
Dimensions: 11" x 4" x 4" (28 cm x 10 cm x 10 cm)  
Capacity: 500 gallons (1,893 liters)

### Parts Included

KWC PURESTREAM, KWC PURESTREAM PLUS:  
KWC PURESTREAM or KWC PURESTREAM PLUS  
Replacement Filter Cartridge, Quick Connect Fittings,  
System Head, Bracket Assembly & Screws

### Installation Precautions

**Warning:** Do not use with water that is microbiologically unsafe or of unknown quality without adequate disinfection before or after the system.

**Caution:** System must be protected from freezing. Drain filter when room temperature drops below 40°F (4.4°C).

**Caution:** Do not install on hot water line. Maximum temperature allow is 100°F (38°C).

- Do not use torch or other high temperature sources near filter or plastic cartridge.
- Do not install near electric wires or water pipes that will be in the path of the drill when selecting the position to mount bracket.
- Do not install in direct sunlight.
- Allow minimum of 2" (5 cm) clear space under filter to facilitate cartridge change.
- Mount filter in such a position as to prevent it from being struck by other items such as waste baskets, etc.
- Installation must comply with existing state or local plumbing codes.

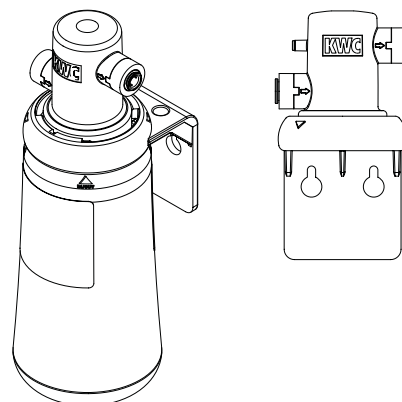
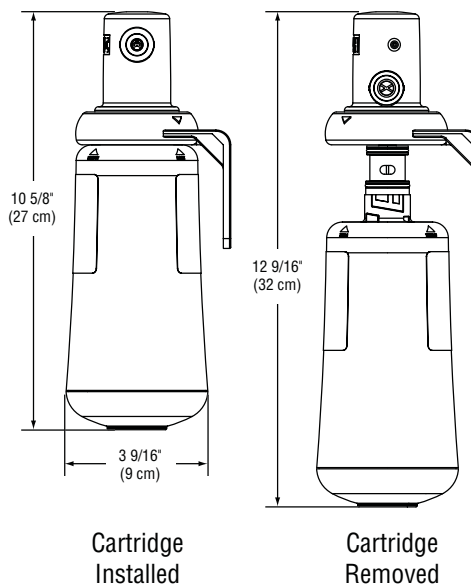
## System Installation

### 1. Mount System

Determine undersink mounting location

**Warning:** Before drilling holes underneath your sink, locate hidden electrical wires or plumbing behind the mounting surface. Note adjacent appliances (dishwasher, refrigerator, trash compactor, over) which may interfere with system fastening screws.

- A. Fasten mounting bracket to cabinet wall (screws not included). **Note:** 2" (5 cm) free space underneath system required to change filter.
- B. Remove the cap from cartridge. Inspect the cartridge for any damage.



- C. Make sure the o-rings are present and positioned correctly in grooves. Moisten the o-rings with water. **DO NOT USE PETROLEUM PRODUCTS TO LUBRICATE.**
- D. Connect KWC PURESTREAM or KWC PURESTREAM PLUS cartridge to head/bracket assembly. Align tabs with head/bracket assembly and push up until cartridge stops, then rotate 1/4 turn to the right to secure.

## 2. Cold Water Supply

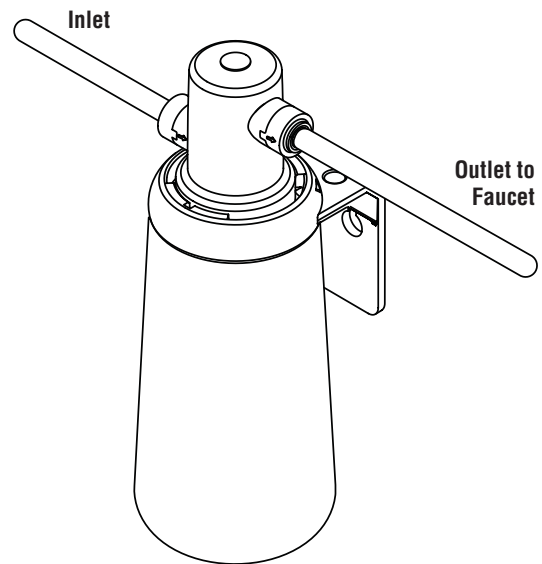
**Note:** Water must be diverted from the main cold water supply line to the 3/8" inlet of your KWC PURESTREAM filter system. Installation must comply with existing state or local plumbing codes.

**Note:** Tubing runs should follow the contour of the cabinet rather than interfere with the cabinet storage area. Arrange tubing so that there are no sharp bends. Leave some "play" in the tubing for ease of servicing, then cut tubing to the desired length. Shorter tubing lengths ensure better flow rates.

- A. The filter systems inlet connection is equipped with user-friendly "quick connect" push-in fittings, compatible with 3/8" plastic or copper tubing. Illustration 2.A shows how to use the quick connect fittings.

## 3. Connect System to Faucet

- A. Your PURESTREAM filter system connects directly to the KWC faucets factory pre-installed 8mm plastic tubing. The filter systems outlet connection is equipped with a user-friendly 8mm "quick connect" push-in fitting.



## 4. Test System

- A. Open cold valve under the sink.
- B. The system will pressurize. Check for leaks. If any leaks are present, refer to troubleshooting section.

## 5. Flush Filter

- A. Make sure cold water supply is turned on.
- B. Run water through the filter faucet for a few minutes to remove any trapped air and carbon fines until water runs clear.
- C. The system installation is now complete and ready to serve purified water. **Enjoy!**

## Troubleshooting Guide

### Water leaks at quick connect fittings

Push tubing in as far as it will go. If leaking continues, shut off cold water supply and remove water line by pushing in on the connector white collar while pulling the tubing away. Inspect tubing for cracks. If tubing is cracked, simply cut that portion away and re-insert tubing into quick connect fitting.

### Water does not flow from the filter faucet

Check to see if the original water line valve is open, allowing water to flow to the filter. If water still does not flow, make sure the filter cartridge is turned to the right as far as it will go. Also, check for crimps or sharp bends in tubing.

### Water appears cloudy or air comes out of filter faucet

Flush filter for a full 5 minutes to remove any carbon fines or trapped air in the filter and water lines.

This product is outfitted with user friendly 'Push In' connectors. Proper use of the connectors is shown in the diagrams.

It is most important that the tubing selected for use with these connectors be of high quality, exact size and roundness, and with no surface nicks or scratches. If it is necessary to cut the tubing, use a plastic tubing cutter or sharp razor knife. Make a clean square cut.

Should a leak occur at a 'Push-In' connector, the cause is usually defective tubing.

- To Fix:
- Relieve pressure
  - Release tubing
  - Cut off at least 1/4" from end
  - Reattach tubing
  - Confirm connection is leak free

