

Installation Instructions

KWC WATERSTATION

Installation for island unit with carousel

Installation for built-in units with carousel
(In-line and corner installations)

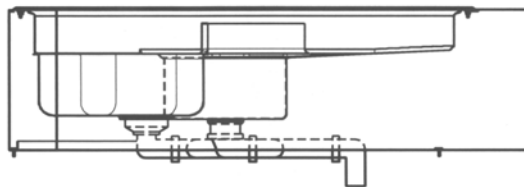
Please read carefully before assembly!



Pieces Included:

1. Top Multi-Sink Unit with drainage attachments preinstalled.

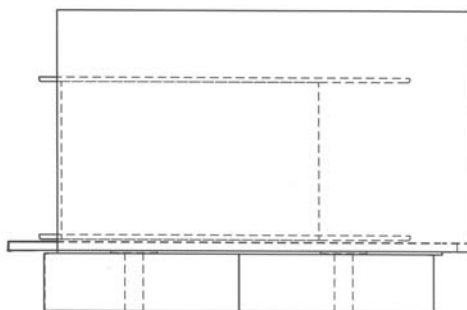
Side view



2. M5 nuts and plain washers (12 of each) for attaching the top multi-sink unit to the base unit)

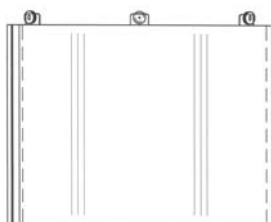
3. Base Unit with storage carousel and pedestal

Side view



4. Sliding door

Front view



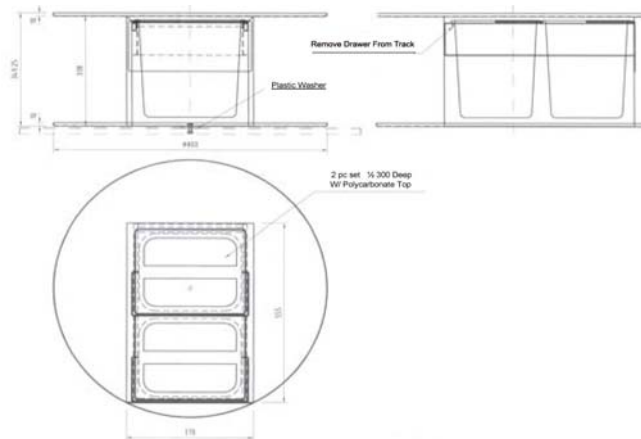
Top view



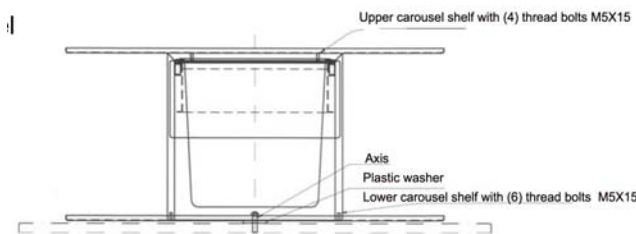
***Faucet Sold Separately

Installation Instructions:

1. First dismantle and remove the carousel. For transportation reasons, the carousel is mounted in the base before delivery.

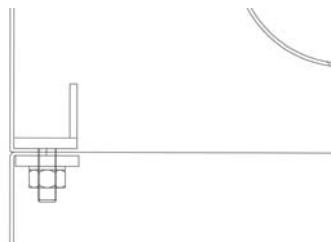


To do this, remove the storage bins and unscrew the nuts on the inside of the carousel. Set removed nuts aside for reinstallation of the carousel.

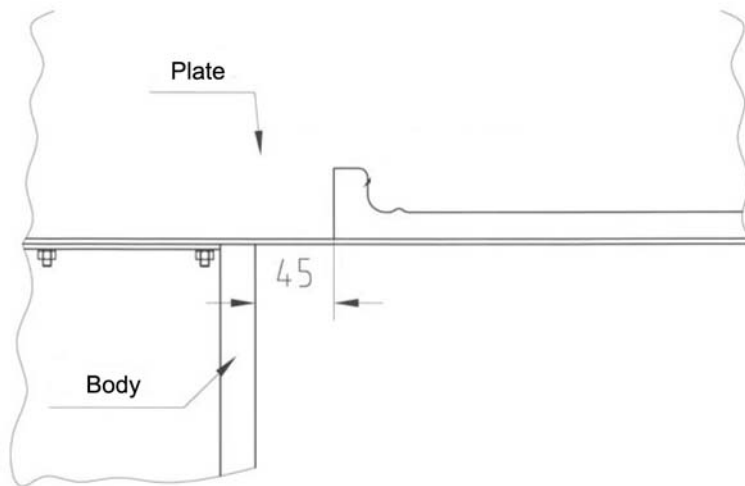


The shelves can be removed diagonally through the opening.

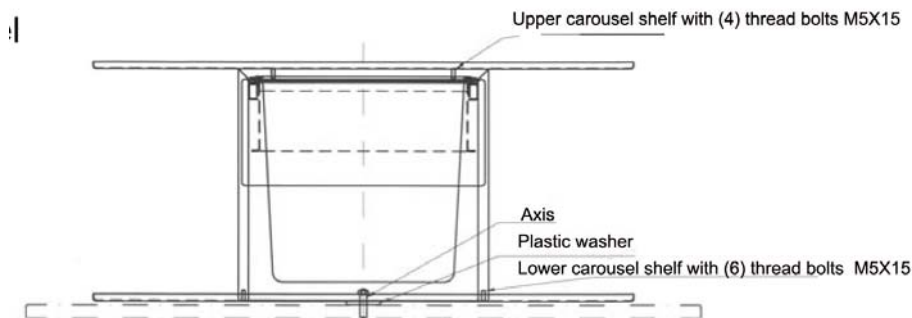
2. Push the base unit into the required position. Using the spanner, adjust the feet through the holes in the bottom of the base unit.
3. Prepare the waste line from the drain rough and fresh water supply lines for eventual connection to top multi-sink unit and faucet hot/cold supply lines making sure to allow clearance for the carousel which must be reinstalled.
4. Mount faucet to top multi-sink unit (According to faucet installation instructions)
5. Screw top multi-sink unit to base unit. (As shown below with nuts/washers incl.)



Note: The top multi-sink unit must be installed with the primary sink centered in the door opening of the base unit for proper door operation.

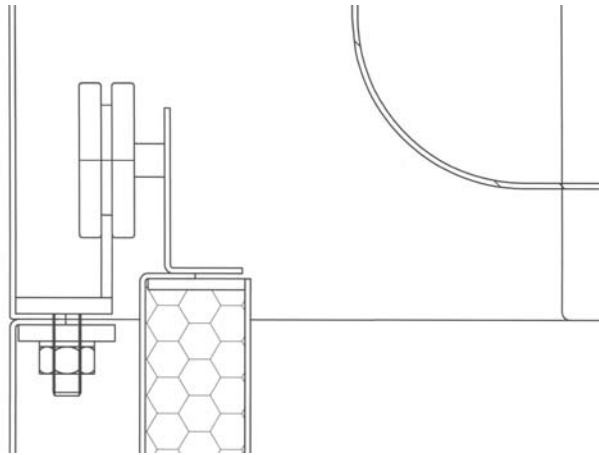


6. Screw panel tightly to wall (when installed into an In-Line or Corner application).
7. Connect sink drain to the prepared waste line. (Step #3)
8. Connect the faucet supply lines to the hot/cold angle stops.
9. Tighten all connections.
10. Place the door inside the base unit leaning against the left wall with rollers up.
11. Reinstall the carousel



Place the plastic washer over the axis screw thread (shown in illustration above) between the bottom of the lower carousel shelf and the bottom of the base unit. Then place the lower carousel shelf into the base unit over the plastic washer and attach with nuts removed in Step 1. Next, place the upper carousel shelf into the base unit. Lift and place the storage bin frame in between on the screw threads and attach with nuts removed in Step 1. Hang the storage bins into place on the pull out drawer frame.

12. Hang the sliding door onto the rails under the top multi-sink unit as shown below.



Care Information

CARE INFORMATION FOR YOUR SOLID WOOD CHOPPING BOARD

Please observe the following points in order to preserve the life of your cutting board.

Cutting boards should never be placed in a dishwasher for cleaning or be left soaking in water. This will cause the wood to soften and expand which can cause the board to warp or crack.

Simply clean the board with soapy water before and after each use and towel dry.

Periodic application of mineral oil depending on use and household environment will preserve and beautify your cutting boards.

CARE INFORMATION FOR STAINLESS STEEL SURFACES

Basic Daily Care

Simple attention to your sink's appearance on a daily basis is often the key to longer life. Begin by cleaning your sink after each use with a soapy sponge or cloth, then rinse thoroughly with warm water and dry with a towel using a dabbing motion. This will eliminate water spots and streaks, which occur if water drops are left standing in the sink. Remember that most soaps, cleaners and detergents contain chlorides, which, if not removed, may cause pitting, and stains. Always be sure that your sink is rinsed thoroughly before drying.

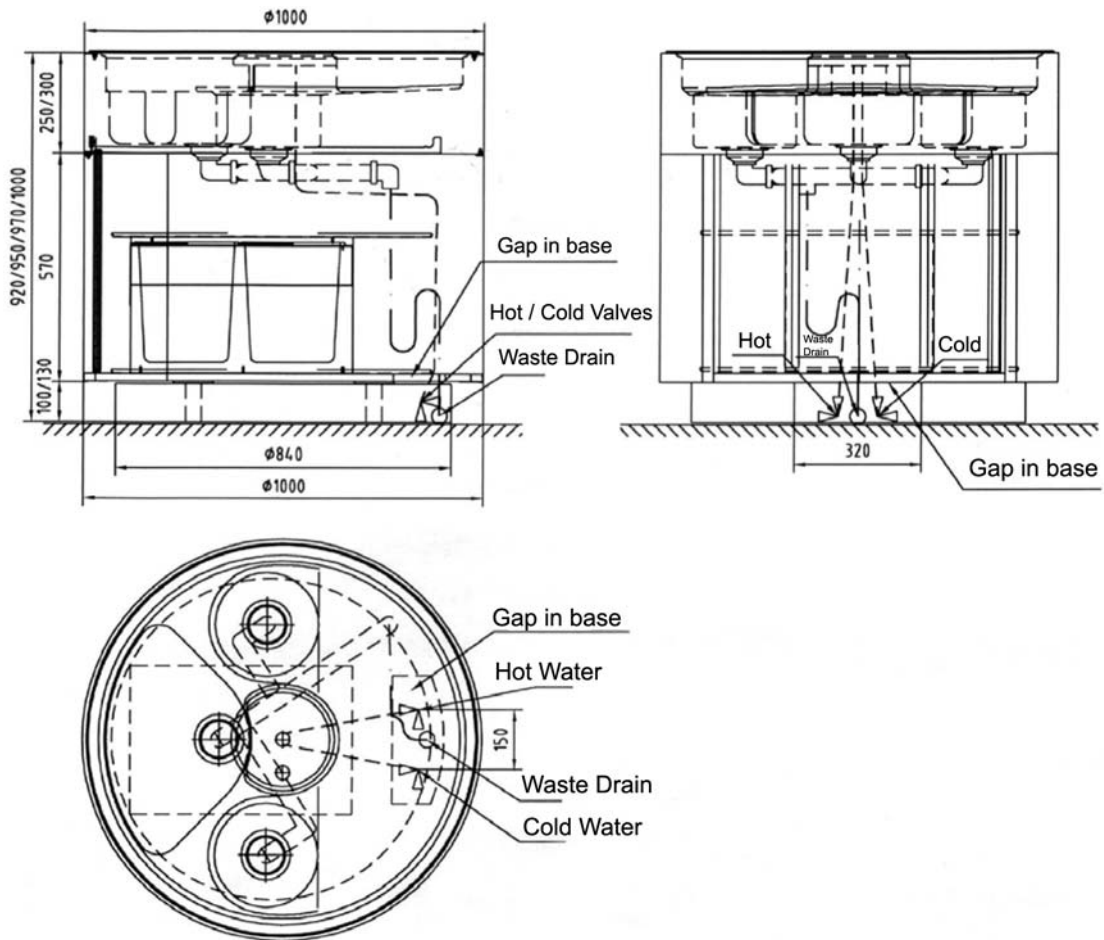
Weekly Cleaning

As with any product, preventative maintenance on a regular basis will eliminate many potential problems, which may be compounded over time. This is why weekly cleaning is important. For basic cleaning, use a non-abrasive stainless steel cleaner covering the surface completely, rinse thoroughly with warm water, and then dry with a towel using a dabbing motion. This regular attention to your sink will help avoid stains and rust particle build-up.



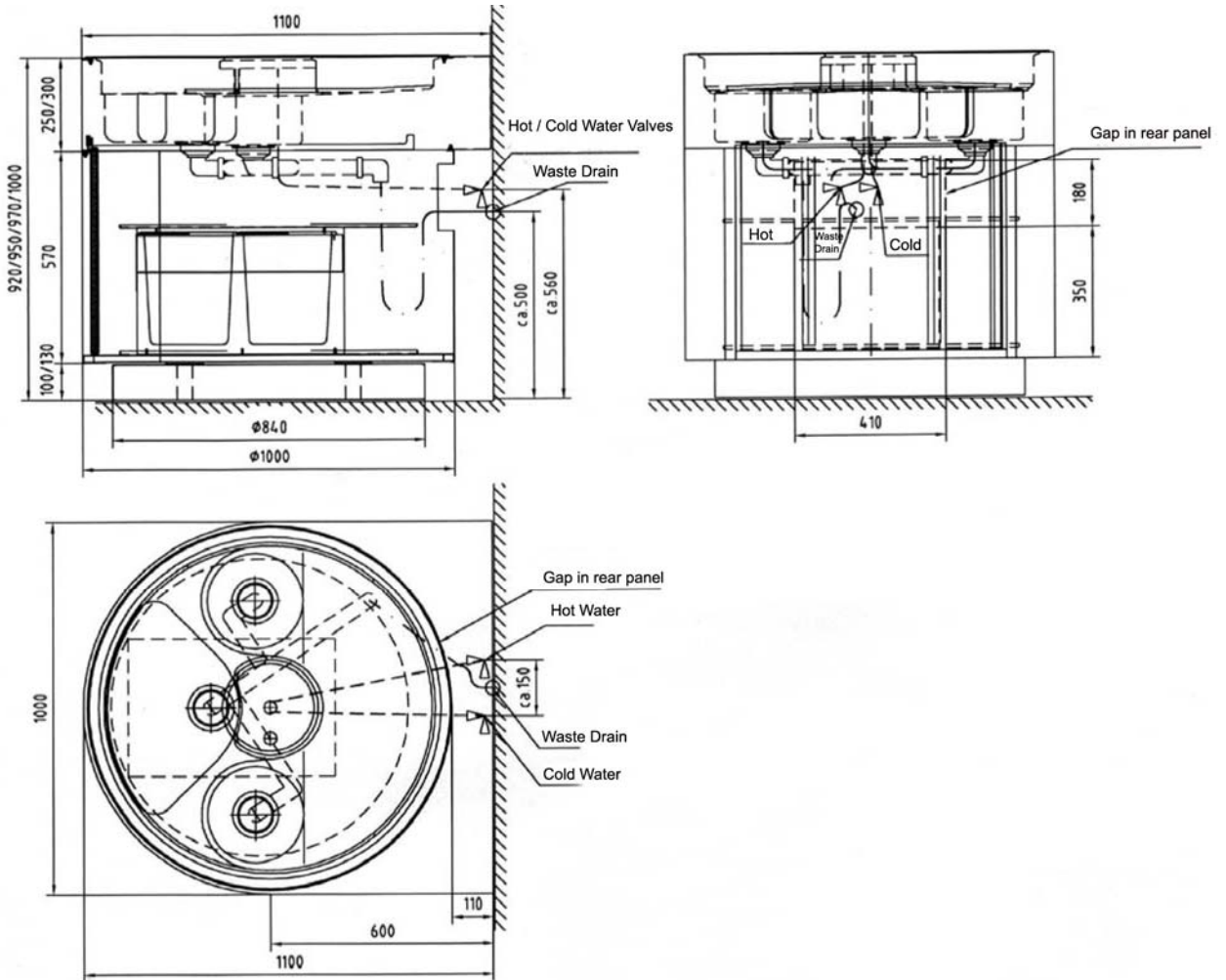
Assembly instructions for the Water Station

Stand alone with carousel



Assembly instructions for the Water Station

Kitchen unit with carousel



Assembly instructions for the Water Station

Corner installation with carousel

